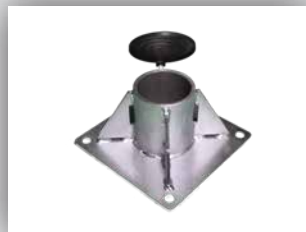


Swivel davit SD125-250-500




Swivel davit



Product specification:

- robust and safe hoisting davit
- ready to use in 5 seconds
- integrated winch and cable in an ergonomic modern design
- easy to transport, only 25 kg
- 360 degrees rotation over a built in pivot bearing
- maintenance free
- including 8 meter wire rope (d5 mm) with hook
- adjustable crank
- paint application in compliance with DIN/ISO 12994, C1M
- integrated winch in compliance with EN13157, DIN15020 and EX types ATEX 114 (94/9/EG)

Options:

- zinc plated finish (6 - 8 micron)
- stainless steel grade SAE 316
- ATEX certified  II 3 GD T3, zone 2 and 22
- other dimensions on request

Accessories:

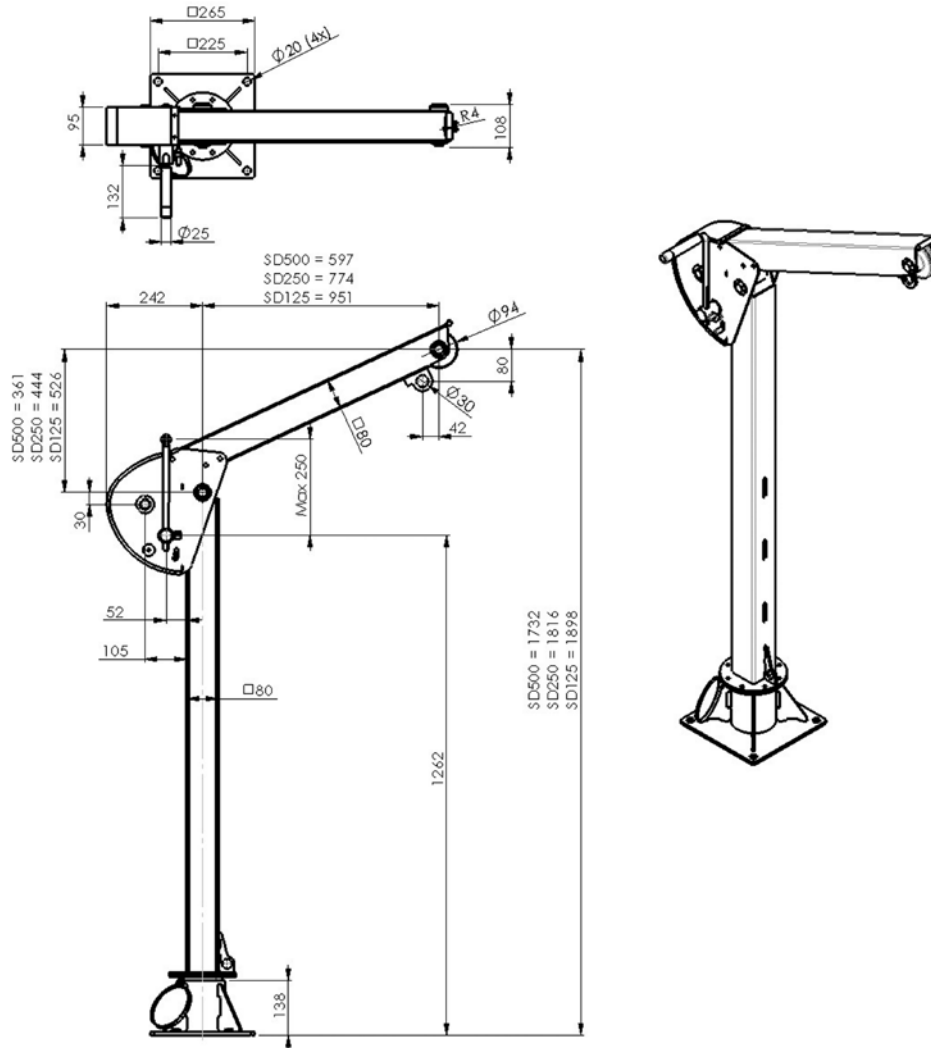
- floor, wall and in-cement floor sockets
- carry bag and protection cover

GEBUWIN
metal products

Industrieweg 6, 7102 DZ Winterswijk, The Netherlands
Telephone: +31(0)543 532600 Email: info@gebuwin.com
For more information: www.gebuwin.com



Technical specifications SD125-250-500



Type	Mounting	Material finish	Remarks
SD125, SD250, SD500 GR	Floor, 4x M18 class 8.8	Zinc-plated finish	RAL 7035 (grey)
SD125, SD250, SD500 EV	Floor, 4x M18 class 8.8	Zinc-plated finish	
SD125, SD250, SD500 SS (minimum order of 5)	Floor, 4x M18 class 8.8		
Swivel davit floor-socket EV	Floor	Zinc-plated finish	Including cover
Swivel davit wall-socket EV	Wall	Zinc-plated finish	Including cover
Swivel davit in-cement-socket EV	Cement	Zinc-plated finish	Including cover

Technical specifications		SD125	SD250	SD500
1st cable layer	kg	125	250	500
Last cable layer (7)	kg	125	250	268
Crankforce 1st cable position	daN	10	10	10
Hoisting length one rotation, 1st layer	mm	20	20	20
Max. cable storage *	m	24	24	13
Diameter cable *	mm	4	4	5
Min. breaking load cable	kN	4	7,5	15
Own weight Swivel Davit	kg	25	25	25
Own weight floor-socket	kg	7	7	7
Own weight wall-socket	kg	8	8	8
Own weight in cement-socket	kg	3	3	3

* All models standard delivered with 5 mm wire rope, length 8 m.